

LARGE SINGLE BOWLS

UKINOX SPECIFICATIONS

MODEL D759

UNDERMOUNT TYPE

GENERAL

Fine quality sink bowl formed of 18 gauge
Type 304 18/10 nickel bearing stainless steel

DESIGN FEATURES

Bowl Depth: 9"

Finish: European High Polish Finish

Underside: Sound absorbing pads and special paint
applied to dampen sound

Drain Opening: 3-1/2"

Sinks include all basket strainers, mounting
hardware and template.

PROTECT YOUR SINK! Grids prolong the life
of your sink's finish.

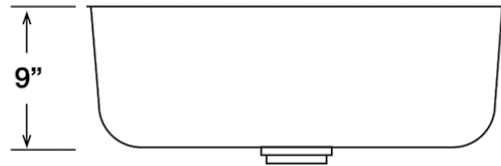
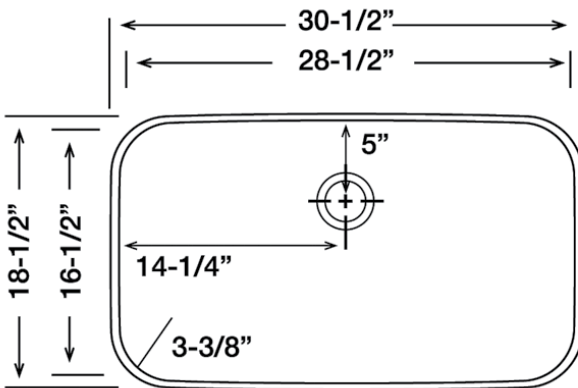


D759

OPTIONAL ACCESSORIES

GR759SS Stainless Steel Bottom Grid

SINK DIMENSIONS (INCHES)



Minimum Cabinet Size 30"

Ship Weight 26 Lbs.

Installer Notes: Ukinox always recommends that you give the sink to the granite fabricator. If you are going to use a cutting board, provide that to the fabricator as well. Please note that we do include a template with each sink, but there can always be a slight variation. In addition, many of our templates are perforated so you can tear off the perforation for cutting board applications.



*Template and countertop mounting clips are packed with every sink

Ukinox reserves the right to change product specifications without notice.